

# STAINLESS STEEL TABLE

## ADJUSTABLE ERGONOMIC DELI SLICER

UNIVERSAL  
STAINLESS by  
**SPG**



ITEM # \_\_\_\_\_ MODEL # \_\_\_\_\_ QTY: \_\_\_\_\_

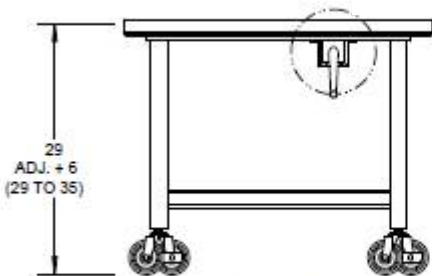
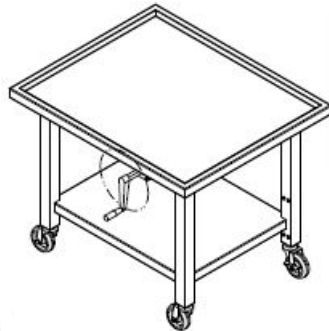
PROJECT: \_\_\_\_\_

OPTIONS:  YES \_\_\_\_\_  NO \_\_\_\_\_

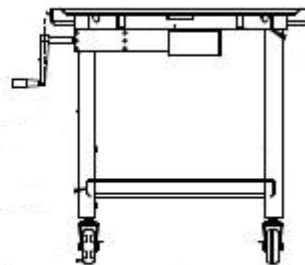


### Standard Features & Benefits

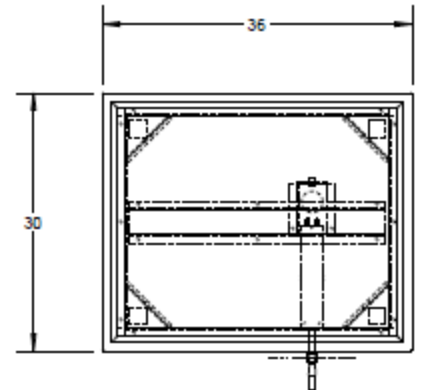
- ◆ Provides a customized work surface for each employee
- ◆ Improves efficiency and reduces fatigue
- ◆ 36" x 30" table with marine edge  
16-gauge 300 Series stainless steel
- ◆ Under shelf 18-gauge 300 Series stainless steel
- ◆ 2" square stainless steel leg tubes
- ◆ Four 4-inch locking casters
- ◆ Designed with a fold-away hydraulic crank to quickly and easily adjust table surface from 29" to 35"
- ◆ Hydraulic line enclosed with stainless steel pan



ELEVATION  
SCALE: 3/4" = 1"



SECTION  
SCALE: 3/4" = 1"



For SPG's complete product menu,  
visit [www.spgusa.com](http://www.spgusa.com) or call 877.503.4SPG (4774)

EXPECT MORE  
**SPG**  
STORAGE PRODUCTS GROUP