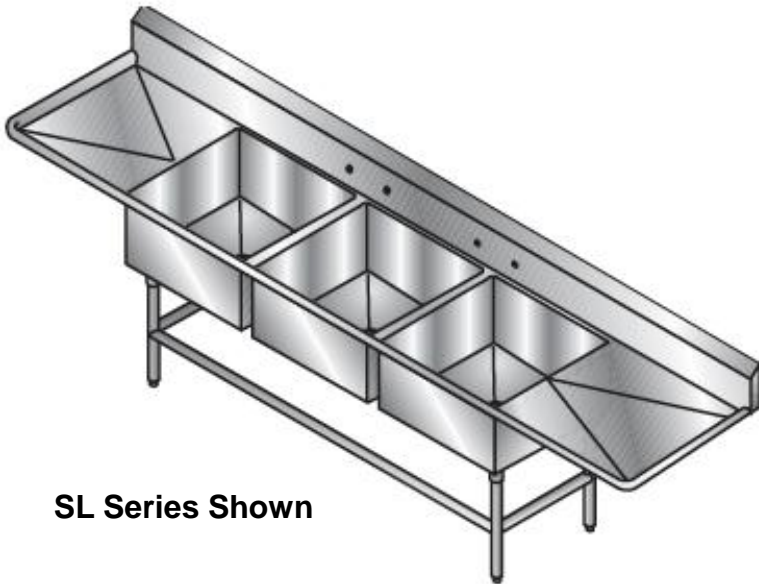


SINKS

THREE COMPARTMENT SINKS WITH TWO DRAINBOARDS

UNIVERSAL
STAINLESS by
SPG

ITEM # _____ MODEL # _____ QTY: _____
PROJECT: _____
OPTIONS: YES _____ NO _____



SL Series Shown

Sinks with bowls wider than 20" require 2 sets of faucet holes



Standard Features & Benefits

- ◆ Fully fabricated bowl with full metal thickness throughout provides greater durability and strength than a drawn sink
- ◆ 9" high integrally formed backsplash, with 2" return to wall at 45°— a turn down at the wall snaps into provided clips to secure the sink to the wall
- ◆ 2-1/2" high, 180° sanitary rolled rim at all free edges
- ◆ Leg assemblies are located directly under sink bowls for greater load support
- ◆ Legs are 1-5/8" diameter tubing with adjustable bullet feet
- ◆ Where applicable, cross rails are 1 5/8" diameter—coped and fully welded for maximum durability
- ◆ All corners, both horizontal and vertical, are covered at 5/8" radius, welded and polished to form a one-piece sanitary unit
- ◆ All sinks are furnished with basket drains and 1-1/8" faucet holes punched in backsplash on 8" centers as required
- ◆ All are NSF listed and CSA certified

For SPG's complete product menu,
visit www.spgusa.com or call 877.503.4SPG (4774)

EXPECT MORE
SPG
STORAGE PRODUCTS GROUP

SINKS

THREE COMPARTMENT SINKS WITH TWO DRAINBOARDS

Specifications

Standard "N" Series

Constructed of 16 gauge 30 Series Stainless Steel with a 12" bowl depth and galvanized legs

Spec "SL" Series

Constructed of 14 gauge 304 Series Stainless Steel with 14" bowl depth and stainless steel legs and crossrails

Standard N								Drainboard		Dimensions	
Series	Approx. Weight		Cubic	Spec SL Line	Approx. Weight		Cubic	Length		L x W	
Model No.	(Lbs.)	(Kg.)	Ft.	Model No.	(Lbs.)	(Kg.)	Ft.	(In.)	(mm.)	(In.)	(mm.)
Bowl Size 16" x 18" (406 x 457 mm.) L x W											
3N1618-2D18	121	55	38	3SL1618-2D18	139	63	40	18	457	88 x 23 1/2	2235 x 597
3N1618-2D24	128	58	43	3SL1618-2D24	147	67	46	24	610	100 x 23 1/2	2540 x 597
Bowl Size 16" x 20" (406 x 508 mm.) L x W											
3N1620-2D18	125	57	38	3SL1620-2D18	142	65	40	18	457	88 x 25 1/2	2235 x 648
3N1620-2D24	132	60	43	3SL1620-2D24	151	69	46	24	610	100 x 25 1/2	2540 x 648
Bowl Size 18" x 18" (457 x 457 mm.) L x W											
3N18-2D18	127	58	40	3SL18-2D18	146	66	43	18	457	94 x 23 1/2	2388 x 597
3N18-2D24	134	61	46	3SL18-2D24	155	70	49	24	610	106 x 23 1/2	2743 x 597
Bowl Size 18" x 24" (457 x 610 mm.) L x W											
3N1824-2D18	172	78	49	3SL1824-2D18	196	89	53	18	457	94 x 29 1/2	2388 x 749
3N1824-2D24	180	82	56	3SL1824-2D24	207	94	61	24	610	106 x 29 1/2	2743 x 749
3N1824-2D30	200	91	61	3SL1824-2D30	217	99	66	30	762	118 x 29 1/2	2997 x 749
Bowl Size 20" x 20" (508 x 508 mm.) L x W											
3N20-2D18	180	82	55	3SL20-2D18	204	93	60	18	457	100 x 25 1/2	2540 x 749
3N20-2D24	191	87	62	3SL20-2D24	220	100	69	24	610	112 x 25 1/2	2854 x 749
3N20-2D30	215	98	69	3SL20-2D30	230	105	76	30	762	124 x 25 1/2	3150 x 749
Bowl Size 24" x 24" (610 x 610 mm.) L x W											
3N24-2D24	206	94	64	3SL24-2D24	239	109	69	24	610	124 x 29 1/2	3150 x 749
3N24-2D30	226	103	71	3SL24-2D30	249	113	76	30	762	136 x 29 1/2	3454 x 749
Bowl Size 20" x 28" (508 x 711 mm.) L x W											
3N2028-2D20	186	85	61	3SL2028-2D20	219	100	69	20	508	104 x 33 1/2	2642 x 851
3N2028-2D24	206	94	68	3SL2028-2D24	229	104	77	24	610	112 x 33 1/2	2946 x 851
3N2028-2D30	225	102	75	3SL2028-2D30	239	108	84	30	762	124 x 33 1/2	3251 x 851
Bowl Size 24" x 30" (610 x 762 mm.) L x W											
3N2430-2D24	244	111	76	3SL2430-2D24	273	124	82	24	610	124 x 35 1/2	3150 x 902
3N2430-2D30	254	115	84	3SL2430-2D30	283	129	90	30	762	136 x 35 1/2	3454 x 902

AMCO • Freestyle • ISS • Kelmax • LPI • Universal Stainless • Gillis-Jarke

SPG International, LLC
11230 Harland Drive NE
Covington, GA 30014
877-503-4SPG (4774)

www.spgusa.com

The best names in the business
all have one thing in common.

EXPECT MORE
SPG
STORAGE PRODUCTS GROUP