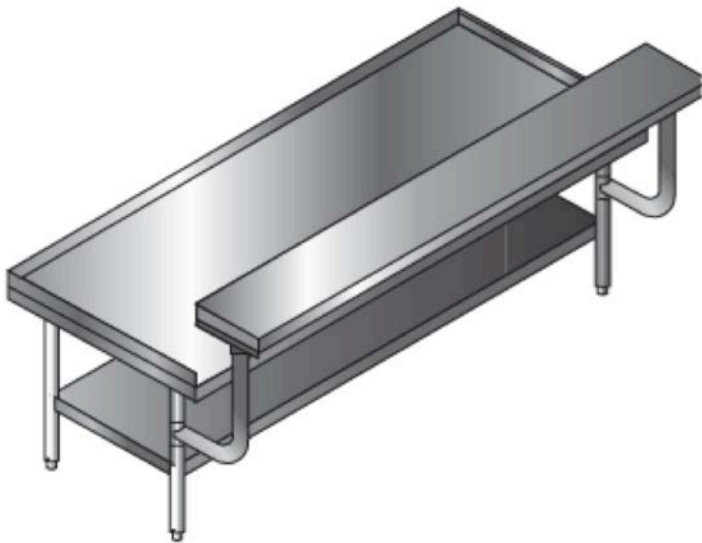


# EQUIPMENT STANDS

## HEAVY DUTY EQUIPMENT TABLES

UNIVERSAL  
STAINLESS by  
**SPG**



*Unit shown with optional cutting board*

ITEM # \_\_\_\_\_ MODEL # \_\_\_\_\_ QTY: \_\_\_\_

PROJECT: \_\_\_\_\_

OPTIONS:  YES \_\_\_\_\_  NO \_\_\_\_\_

### Standard Features & Benefits

- ◆ Available in Galvanized or Stainless Steel bases
- ◆ Table width is 30" (762mm). Working height is 24"
- ◆ Optional Stainless Steel and maple cutting boards available
- ◆ Rear and ends are turned up 2" to contain equipment
- ◆ Ends are hemmed, capped, and finished to conceal bracing
- ◆ Available in Standard (16 Gauge top) or Spec Line (14 Gauge top)



All SPG foodservice products meet NSF standards. For specific items, visit [www.nsf.org](http://www.nsf.org).

For SPG's complete product menu, visit [www.spgusa.com](http://www.spgusa.com) or call 877.503.4SPG (4774)

EXPECT MORE  
**SPG**  
STORAGE PRODUCTS GROUP

# EQUIPMENT STANDS

## HEAVY DUTY EQUIPMENT TABLES

Standard "N" Series Model No.	Spec "SL" Line Model No.	L x W		Approx. Wt.		Cubic Ft.
		(In.)	(mm.)	(Lbs.)	(Kg.)	
<b>Stainless Bases</b>						
ES-3024-S	ES-SL-3024-S	24 x 30	610 x 762	60	32	12
ES-3036-S	ES-SL-3036-S	36 x 30	914 x 762	70	36	18
ES-3048-S	ES-SL-3048-S	48 x 30	1219 x 762	80	43	25
ES-3060-S	ES-SL-3060-S	60 x 30	1524 x 762	95	45	31
ES-3072-S	ES-SL-3072-S	72 x 30	1829 x 762	100	55	37
ES-3096-S	ES-SL-3096-S	96 x 30	2438 x 762	150	68	49
ES-30108-S	ES-SL-30108-S	108 x 30	2743 x 762	180	82	58
ES-30120-S	ES-SL-30120-S	120 x 30	3048 x 762	210	95	65
<b>Galvanized Bases</b>						
ES-3024-G	ES-SL-3024-G	24 x 30	610 x 762	60	32	12
ES-3036-G	ES-SL-3036-G	36 x 30	914 x 762	70	36	18
ES-3048-G	ES-SL-3048-G	48 x 30	1219 x 762	80	43	25
ES-3060-G	ES-SL-3060-G	60 x 30	1524 x 762	95	45	31
ES-3072-G	ES-SL-3072-G	72 x 30	1829 x 762	100	55	37
ES-3096-G	ES-SL-3096-G	96 x 30	2438 x 762	150	68	49
ES-30108-G	ES-SL-30108-G	108 x 30	2743 x 762	180	82	60
ES-30120-G	ES-SL-30120-G	120 x 30	3048 x 762	210	95	71

### Optional Cutting Boards for Equipment Tables Stainless Steel Tops and Maple Tops

Model No	L x W		Approx. Wt.	
	(In.)	(mm.)	(Lbs.)	(Kg.)
<b>Stainless Steel Top</b>				
ES-CBS-24	24 x 10	610 x 254	15	7
ES-CBS-36	36 x 10	914 x 254	20	9
ES-CBS-48	48 x 10	1219 x 254	25	11
ES-CBS-60	60 x 10	1524 x 254	30	14
ES-CBS-72	72 x 10	1829 x 254	35	16
<b>Maple Top</b>				
ES-CBM-24	24 x 10	610 x 254	20	9
ES-CBM-36	36 x 10	914 x 254	25	11
ES-CBM-48	48 x 10	1219 x 254	30	14
ES-CBM-60	60 x 10	1524 x 254	35	16
ES-CBM-72	72 x 10	1829 x 254	40	18

### CONSTRUCTION

#### TOP:

All edges are die formed with corners welded to for one piece sanitary unit.

#### BRACING:

Two full length stainless steel C-channels for strength and sound deadening.

#### LEGS:

1-5/8" dia. 16 Gauge tubing with adjustable SS bullet feet. (all stands 60" and longer have 6 legs.

#### UNDER SHELF:

18 Gauge SS or Galvanized (-S or -G) notched and fully welded.

Stands available with casters. Specify "-C" at end of part name.

AMCO • Freestyle • ISS • Kelmax • LPI • Universal Stainless • Gillis-Jarke

SPG International, LLC  
11230 Harland Drive NE  
Covington, GA 30014  
877-503-4SPG (4774)

www.spgusa.com

The best names in the business  
all have one thing in common.

EXPECT MORE  
**SPG**  
STORAGE PRODUCTS GROUP

# EQUIPMENT STANDS

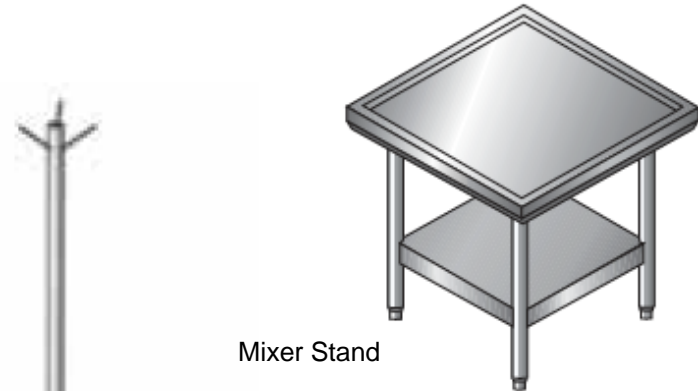
## MIXER STANDS AND MOBILE EQUIPMENT TABLE

UNIVERSAL  
STAINLESS by  
**SPG**

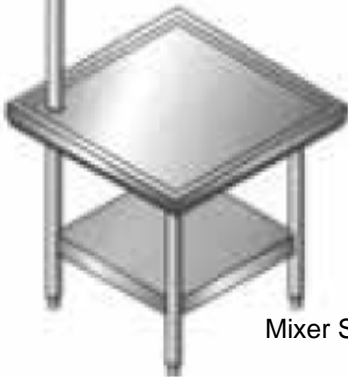
ITEM # \_\_\_\_\_ MODEL # \_\_\_\_\_ QTY: \_\_\_\_

PROJECT: \_\_\_\_\_

OPTIONS:  YES \_\_\_\_\_  NO \_\_\_\_\_



Mixer Stand



Mixer Stands with Utensil Tree



Mobile Equipment Table

### Standard Features & Benefits

- ◆ Available in Galvanized or Stainless Steel bases
- ◆ Top: 16 Gauge 300 Series Stainless Steel
- ◆ Legs: 1- 5/8 O.D. Stainless Steel tubing with adjustable bullet feet
- ◆ Undershelf: 18 Gauge Stainless Steel, notched to fit legs and fully welded
- ◆ Raised marine edge to contain equipment



All SPG foodservice products meet NSF standards. For specific items, visit [www.nsf.org](http://www.nsf.org).

For SPG's complete product menu, visit [www.spgusa.com](http://www.spgusa.com) or call 877.503.4SPG (4774)

EXPECT MORE  
**SPG**  
STORAGE PRODUCTS GROUP

# EQUIPMENT STANDS

## MIXER STANDS AND MOBILE EQUIPMENT TABLE

### Mixer Stands

Model No.*	L x W		Approx. Wt.		Cubic Ft.
	(In.)	(mm.)	(Lbs.)	(Kg.)	
<b>Stainless Steel Bases</b>					
MS-24-S	24 x 24	610 x 610	50	23	12
MS-2430-S	24 x 30	610 x 762	60	27	15
MS-30-S	30 x 30	762 x 762	65	30	18
MS-3036-S	30 x 36	762 x 914	75	34	20
<b>Galvanized Bases</b>					
MS-24-G	24 x 24	610 x 610	50	23	12
MS-2430-G	24 x 30	610 x 762	60	27	15
MS-30-G	30 x 30	762 x 762	65	30	18
MS-3036-G	30 x 36	762 x 914	75	34	20

\*For Utensil Tree option add -T to model number.

### Mobile Equipment Table

Model No.	L x W		Approx. Wt.		Cubic Ft.
	(In.)	(mm.)	(Lbs.)	(Kg.)	
MET-2430	24 x 30	610 x 762	65	30	4

## CONSTRUCTION

### TOP:

Die formed with liquid retention edge on all four sides, corners welded to form sanitary one-piece unit.

### BRACING:

Units have minimum (2) full length SS C-channel braces.

### LEGS:

1-5/8" dia. 16 Gauge SS or Galvanized tubing with adjustable SS bullet feet and support sockets.

### UNDER SHELF:

18 Gauge SS or Galvanized (-S or -G) fully welded to legs.

AMCO • Freestyle • ISS • Kelmax • LPI • Universal Stainless • Gillis-Jarke

SPG International, LLC  
11230 Harland Drive NE  
Covington, GA 30014  
877-503-4SPG (4774)

[www.spgusa.com](http://www.spgusa.com)

The best names in the business  
all have one thing in common.

EXPECT MORE  
**SPG**  
STORAGE PRODUCTS GROUP