

PAN RACKS

STANDARD DUTY ALUMINUM RACKS

KELMAX by
SPG



ITEM # _____	MODEL # _____	QTY: ____
PROJECT: _____		
OPTIONS: <input type="checkbox"/> YES _____ <input type="checkbox"/> NO _____		



Standard Features & Benefits

- ◆ Standard duty pan racks have round tops and reinforced gussets for greater strength
- ◆ Heavy duty runners welded to uprights
- ◆ Half size units are available with a Stainless Steel or polyurethane top to use as a worktable
- ◆ Unit designed to hold both 18" x 26" sheet pans and 14" x 18" trays
- ◆ Custom sizes available to hold other types of trays
- ◆ Optional 65" height for use in roll-in refrigerators and freezers
- ◆ Units have standard 5" polyurethane casters
- ◆ Rack covers available
- ◆ Lifetime guarantee against rust

Half-Size Model

Model No.	Tray Capacity	Spacing (in.)	D x L x H (in.)	D x L x H (mm.)	Weight (lbs.)	Weight (kg.)
End Load						
4H0787	10	3	26 x 21 x 38	660 x 533 x 965	33	15
4H1062	6	5	26 x 21 x 38	660 x 533 x 965	28	13
Stainless Steel Top						
4H0797	10	3	26 x 21 x 38	660 x 533 x 965	40	18
4H1064	6	5	26 x 21 x 38	660 x 533 x 965	35	16
Poly-Top						
4H0794	10	3	26 x 21 x 38	660 x 533 x 965	35	16
4H2581	6	5	26 x 21 x 38	660 x 533 x 965	30	14

For SPG's complete product menu, visit www.spgusa.com or call 877.503.4SPG (4774)

EXPECT MORE
SPG
STORAGE PRODUCTS GROUP

PAN RACKS

SPECIFICATIONS

Full-Size Model

Model No.	Tray Capacity	Spacing (in.)	D x L x H		Weight	
			(in.)	(mm.)	(lbs.)	(kg.)
End Load						
4H0805	10	6	26 x 21 x 69	660 x 533 x 1778	35	15
4H0838	11	5	26 x 21 x 64	660 x 533 x 1626	37	16
4H0855	12	5	26 x 21 x 69	660 x 533 x 1778	38	17
4H0897	15	4	26 x 21 x 69	660 x 533 x 1778	39	18
4H0945	18	3	26 x 21 x 64	660 x 533 x 1626	44	20
4H0936	17	3.5	26 x 21 x 69	660 x 533 x 1778	40	19
4H0963	20	3	26 x 21 x 69	660 x 533 x 1778	45	20
4H1023	25	2.5	26 x 21 x 69	660 x 533 x 1778	47	21
4H1034	30	2	26 x 21 x 69	660 x 533 x 1778	51	23
Side Load						
4H0826	10	6	18 x 29 x 69	737 x 457 x 1778	30	14
4H0880	12	5	18 x 29 x 69	737 x 457 x 1778	35	16
4H0916	15	4	18 x 29 x 69	737 x 457 x 1778	37	18
4H0953	18	3	18 x 29 x 64	737 x 457 x 1626	38	17
4H1002	20	3	18 x 29 x 69	737 x 457 x 1778	41	19
4H1039	30	2	18 x 29 x 69	737 x 457 x 1778	43	20

Unit Options

Model No.	Description
/PC	5" Polyurethane Plate Casters
/BK	Locking Brakes
/VB	Vertical Corner Bumpers (4)
/SB	Solid Base
/SBCB	Solid Base Continuous Bumper
/TG	Aluminum Tray Guards
For Half-Size Racks Only	
/SS	Stainless Steel Top Shelf
/PT	Poly Cutting Board Top

To select an option, please contact factory for part number.

AMCO • Freestyle • ISS • Kelmax • LPI • Universal Stainless • Gillis-Jarke

SPG International, LLC
11230 Harland Drive NE
Covington, GA 30014
877-503-4SPG (4774)

www.spgusa.com

The best names in the business
all have one thing in common.

EXPECT MORE
SPG
STORAGE PRODUCTS GROUP

PAN RACKS

SPECIFICATIONS

CONSTRUCTION:

Constructed of Heavy Duty extruded Type 6063 aluminum alloy. All uprights and runners are fully welded.

UPRIGHTS & CROSS-BRACES:

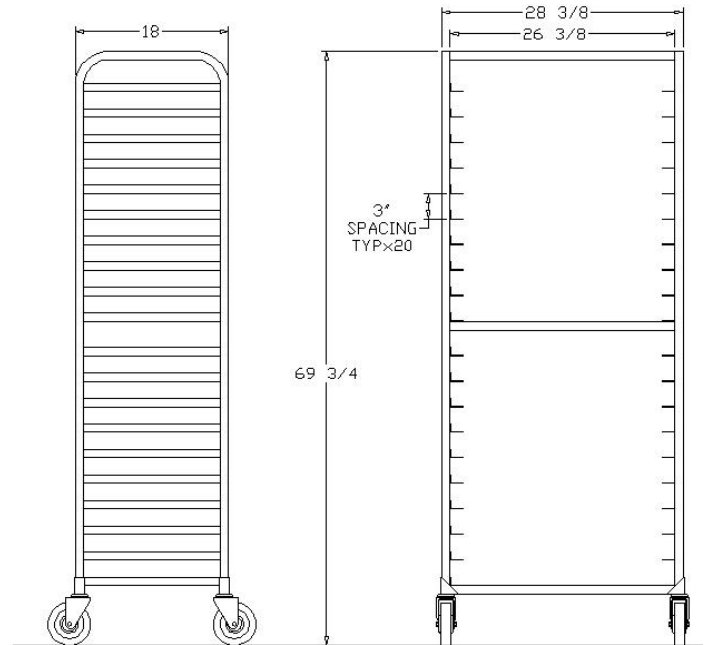
Sides/Uprights consist of two vertical posts made of 1" square aluminum tubing continuously welded. Reinforced gussets at bottom for stem caster support.

RUNNERS:

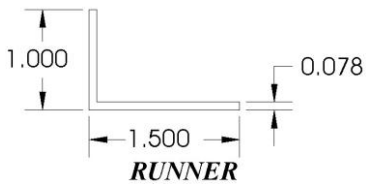
All runners are fully welded to the uprights. Extruded runners are 1" x 1 1/2"

CASTERS:

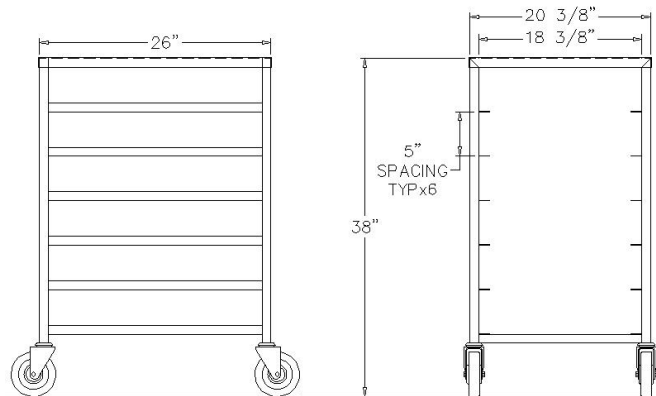
Units feature a standard polyurethane 5" x 1 1/2" wheel on a swivel stem caster.



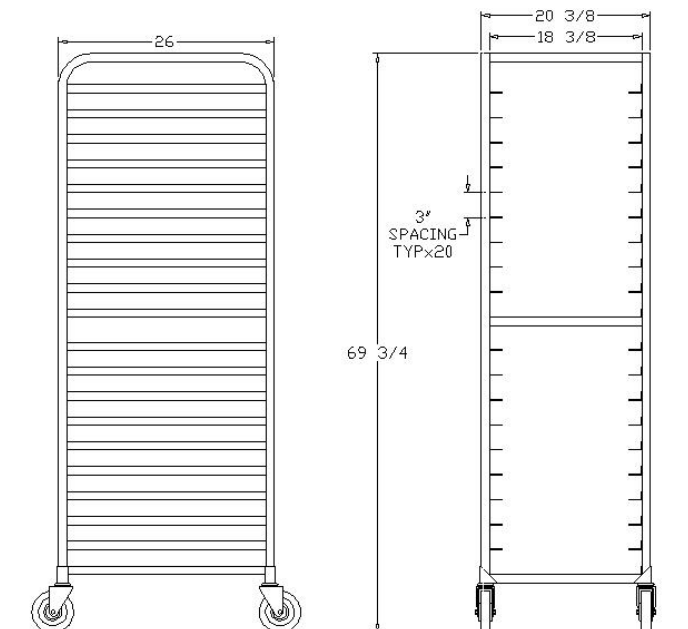
4H1002



RUNNER



4H1064



4H0963

AMCO • Freestyle • ISS • Kelmax • LPI • Universal Stainless • Gillis-Jarke

SPG International, LLC
11230 Harland Drive NE
Covington, GA 30014
877-503-4SPG (4774)

www.spgusa.com

The best names in the business
all have one thing in common.

EXPECT MORE

SPG
STORAGE PRODUCTS GROUP