

CARTS

ROCKET CART

KELMAX by
SPG



ITEM # _____ MODEL # _____ QTY: ____
PROJECT: _____
OPTIONS: YES _____ NO _____



Standard Features & Benefits

- ◆ Vertical supports and shelf collapse and fold in to allow for nesting of several units to conserve valuable back room space
- ◆ The ergonomically friendly, space saving, Rocket Cart System improves stocking efficiencies which translates into labor savings
- ◆ Manufactured using galvanized steel for durability and service life
- ◆ Split shelf design makes it easier to stack product
- ◆ Dual shelf designed to handle a variety of package sizes or provide a flat, stable work surface
- ◆ Compact design reduces aisle congestion and promotes safer, easier shopping experience for customers
- ◆ Includes a convenient pull handle, paper towel holder, and a hook to hang a trash bag.

Standard Unit

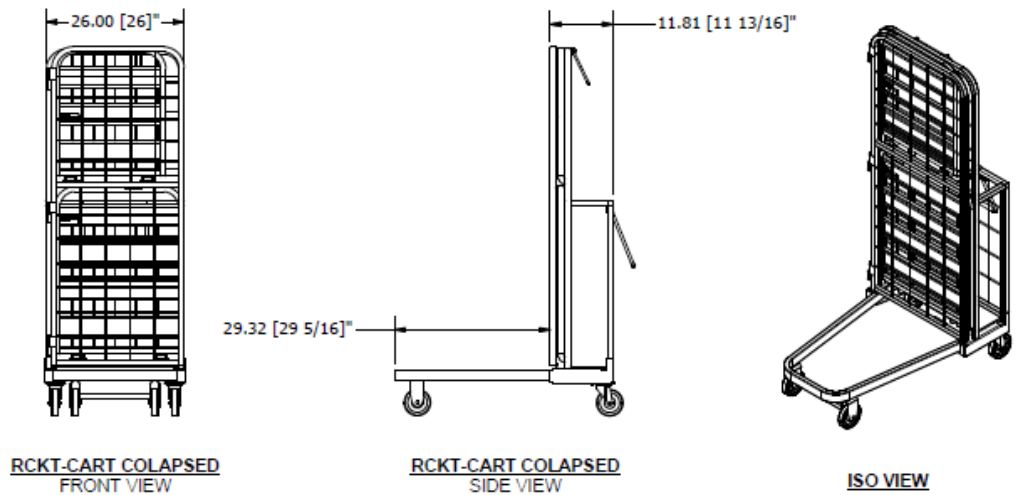
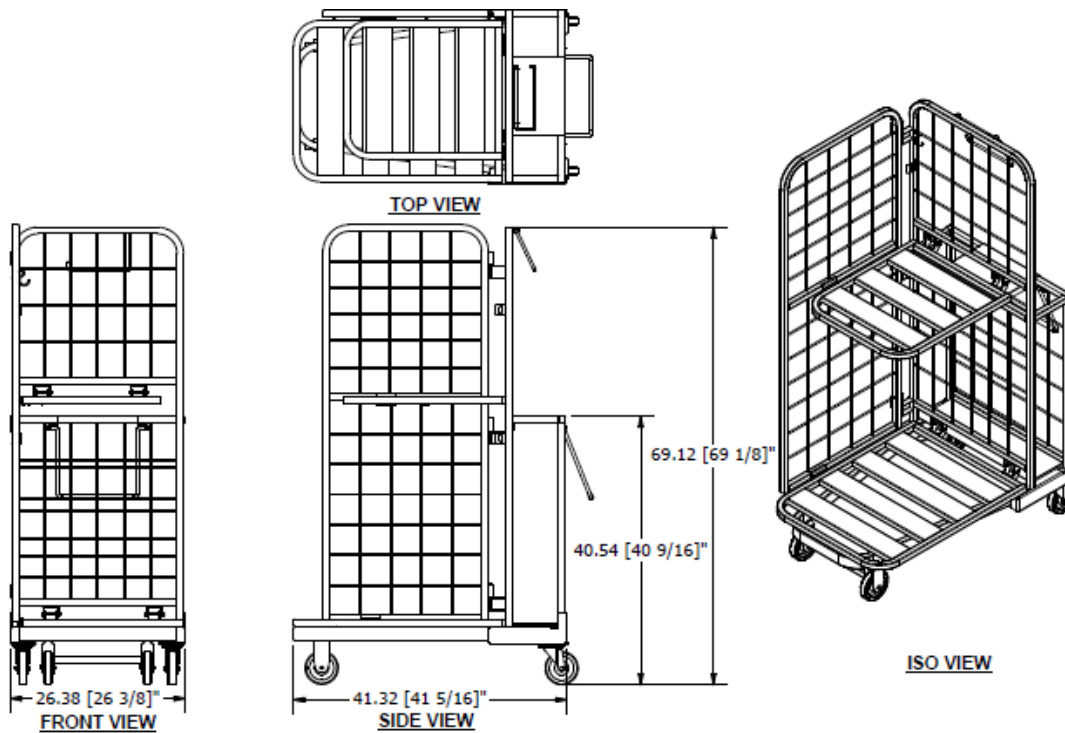
Model No.	Capacity		W x L x H		Weight	
	(lbs.)	(in.)	(mm.)	(lbs.)	(kg.)	
4G0786	800	26 3/8" x 41 5/16" x 69 1/8"	670 x 1050 x 1755	114	52	

For SPG's complete product menu,
visit www.spgusa.com or call 877.503.4SPG (4774)

EXPECT MORE
SPG
STORAGE PRODUCTS GROUP

CARTS

ILLUSTRATIONS



AMCO • Freestyle • ISS • Kelmax • LPI • Universal Stainless • Gillis-Jarke

SPG International, LLC
11230 Harland Drive NE
Covington, GA 30014
877-503-4SPG (4774)

www.spgusa.com

The best names in the business
all have one thing in common.

EXPECT MORE

SPG

STORAGE PRODUCTS GROUP