

MOD-A-FLEX® SHELVING



ITEM # _____	MODEL # _____	QTY: _____
PROJECT: _____		
OPTIONS: <input type="checkbox"/> YES _____ <input type="checkbox"/> NO _____		



Standard Features & Benefits

- ◆ Walk-in cooler/freezer cantilever shelving system
- ◆ Included hardware kit insulates cooler/freezer from outside heat transfer
- ◆ No floor posts provide easy clean-up
- ◆ Ceiling mounted - no need to reinforce side walls
- ◆ Wall mounting upright available for dry storage
- ◆ Each shelf can be adjusted to the exact height requirement within seconds - no tools needed
- ◆ Supports up to 400 lbs per shelf
- ◆ Increases storage capacity by up to 30%
- ◆ Antimicrobial gray epoxy coating for maximum cleanliness and moisture resistance
- ◆ Guaranteed five years against rust
- ◆ NSF Approved for all environments

Nominal Shelf Widths	Nominal Shelf Lengths	Nominal Standard Heights For Walk-in Cooler/Freezer	Nominal Standard Heights For Dry Environmental Walls
<input type="checkbox"/> 12" 300 mm	<input type="checkbox"/> 24" 572 mm	<input type="checkbox"/> 24" 610 mm	<input type="checkbox"/> 18" 457 mm
<input type="checkbox"/> 18" 451 mm	<input type="checkbox"/> 30" 724 mm	<input type="checkbox"/> 36" 914 mm	<input type="checkbox"/> 36" 914 mm
<input type="checkbox"/> 21" 527 mm	<input type="checkbox"/> 36" 876 mm	<input type="checkbox"/> 40" 1016 mm	<input type="checkbox"/> 72" 1829 mm
	<input type="checkbox"/> 42" 1028 mm	<input type="checkbox"/> 61" 1549 mm	<input type="checkbox"/> 85" 2159 mm
	<input type="checkbox"/> 48" 1181 mm	<input type="checkbox"/> 68" 1727 mm	
		<input type="checkbox"/> 72" 1829 mm	
		<input type="checkbox"/> 81" 2057 mm	



For SPG's complete product menu,
visit www.spgusa.com or call 877.503.4SPG (4774)



MOD-A-FLEX® SHELVING

AMCO MOD-A-FLEX® SHELVES

(2 support arms included with each shelf)

Gray Epoxy Model No.	Width		Length		Weight	
	in.	mm	in.	mm	lbs.	Kgs.
MX1224GR	11 7/8	300	22 1/2	572	6	2.7
MX1230GR	11 7/8	300	28 1/2	724	7	3.2
MX1236GR	11 7/8	300	34 1/2	876	8	3.6
MX1242GR	11 7/8	300	40 1/2	1028	9	4.1
MX1248GR	11 7/8	300	46 1/2	1181	11	5
MX1824GR	17 3/4	451	22 1/2	572	9	4.1
MX1830GR	17 3/4	451	28 1/2	724	11	5
MX1836GR	17 3/4	451	34 1/2	876	12	5.4
MX1842GR	17 3/4	451	40 1/2	1028	14	6.4
MX1848GR	17 3/4	451	46 1/2	1181	15	6.8
MX2124GR	20 3/4	527	22 1/2	572	12	5.4
MX2130GR	20 3/4	527	28 1/2	724	14	6.4
MX2136GR	20 3/4	527	34 1/2	876	17	7.7
MX2142GR	20 3/4	527	40 1/2	1028	19	8.6
MX2148GR	20 3/4	527	46 1/2	1181	21	9.5

SHELVES

Shelves have #8 (.162") gauge crosswire spaced 1-1/16" on centers with crossbraces .283" minimum on 6" centers and running perpendicular to crosswires. Crossbraces welded at each end inside leg channel 5/8" x 1-1/4" x .105" thick. All contact points are welded. Each shelf includes two (2) support arms of #11 gauge (.120") steel; each side with two rivets designed to interlock onto wall standards. Aluminum shelving also available.

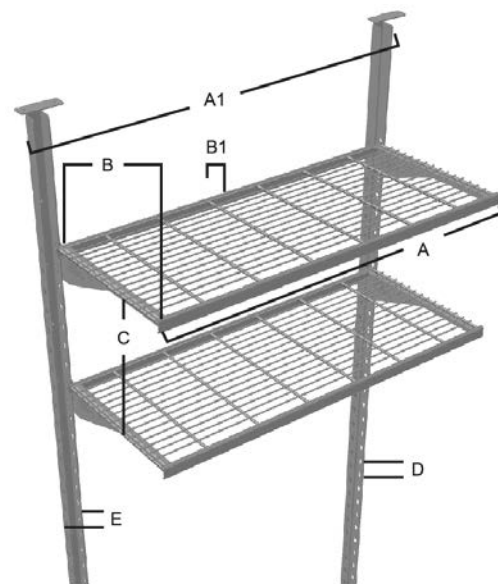
STANDARDS

Standards are constructed of #11 (.120") gauge cold rolled steel forms in a "U" shape with each open leg of the standard key hole punched on 2-1/4" centers. Standards are further punched with a suitable number of holes to allow installation into a wall.

FINISH

Shelves, support arms and standards are protected with a hard-baked electro-statically applied antimicrobial gray epoxy coating.

AMCO MOD-A-FLEX® STANDARDS	Height		Weight	
	In.	mm	lbs.	Kgs.
For Installation in Cooler/Freezer				
MX24GR	24	610	4	1.8
MX36GR	36	914	5	2.3
MX40GR	40	1016	5	2.3
MX61GR	61	1549	9	4.1
MX68GR	68	1727	9	4.1
MX72GR	72	1829	11	5
MX81GR	81	2057	11	5
For Installation in Dry Environment Walls				
MXD18GR	18	457	3	1.4
MXD36GR	36	927	5	2.3
MXD72GR	72	1943	11	5
MXD85GR	85	2159	12	5.5
Extender Kits: Extend the height of the above standards				
MXEXT12GR	12	305	4	1.8
MXEXT15GR	15	381	4	1.8
MXEXT20GR	20	508	5	2.3
MXEXT26GR	26	660	5	2.3
MXEXT36GR	36	914	5	2.3
MXEXT50GR	50	1270	8	3.6



TYPICAL SPACING FOR 18" X 48" SHELF

- A. Shelf length: 46-1/2" (1-1/2" less than normal)
- A1. O.D. of standard as illustrated: 48"
- B. Shelf width: 17-3/4" (1/4" less than normal)
- B1. Distance from wall to rear of shelf: 1-5/8"
- C. Distance between shelves: 3-1/4" if installed on consecutive slots. For each additional slot, add 2-1/4"
- D. Slot spacing: 2-1/4" on center
- E. Width of standard: 1-1/2"

AMCO • Freestyle • ISS • Kelmax • LPI • Universal Stainless • Gillis-Jarke

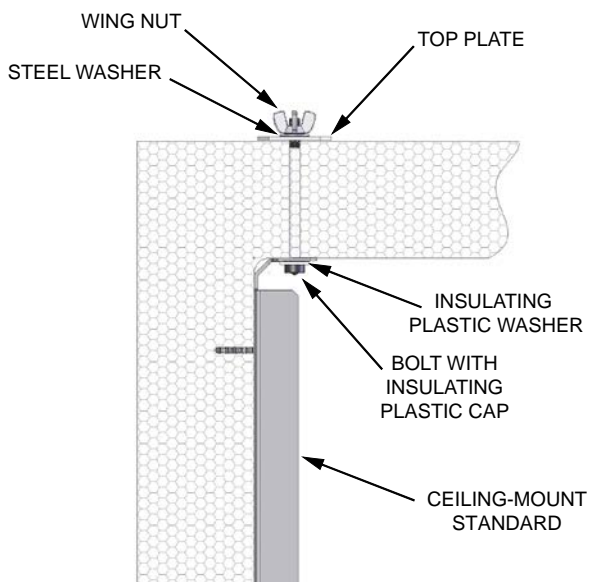
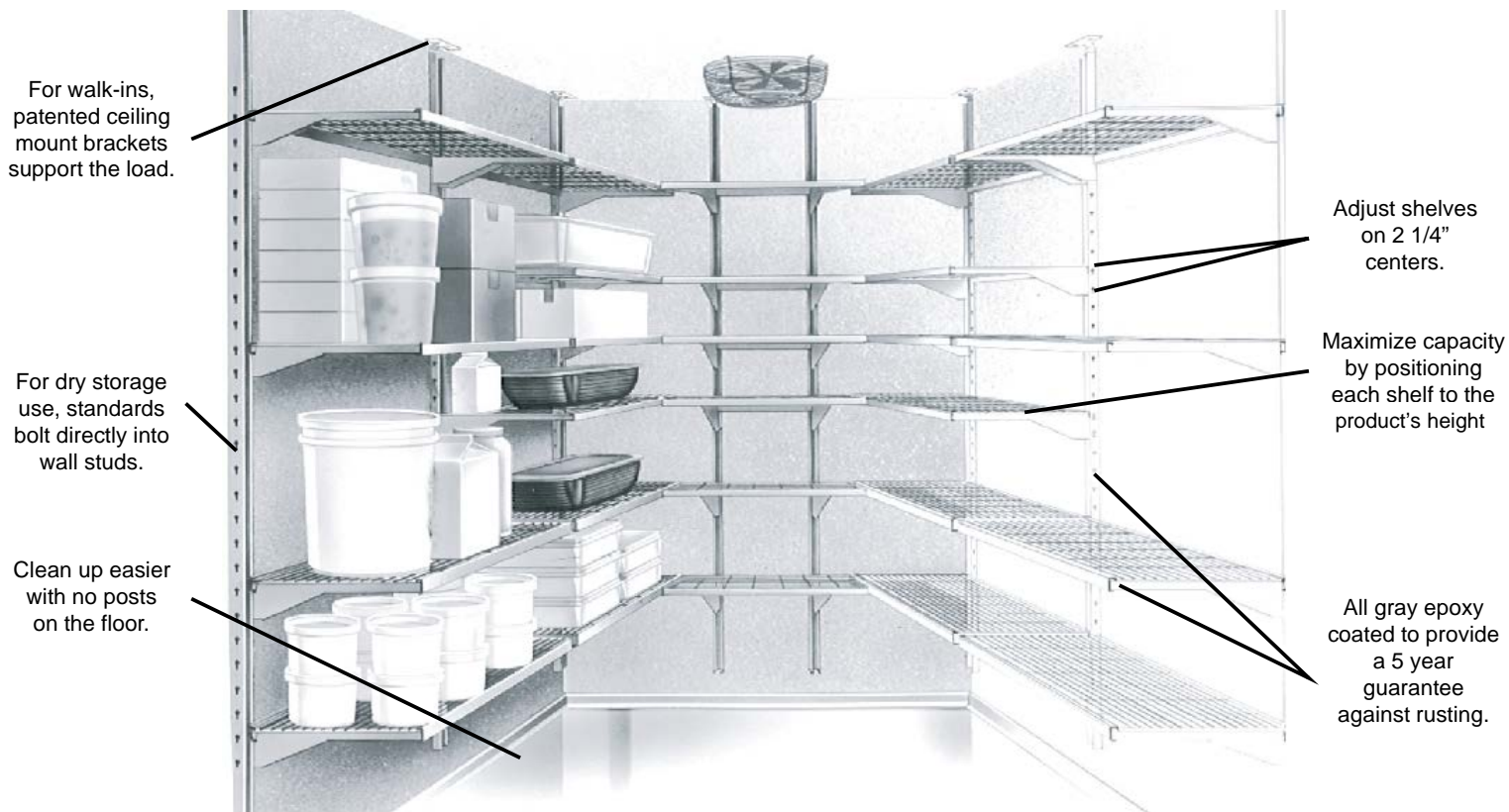
SPG International, LLC
11230 Harland Drive NE
Covington, GA 30014
877-503-4SPG (4774)

www.spgusa.com

The best names in the business
all have one thing in common.

EXPECT MORE
SPG
STORAGE PRODUCTS GROUP

MOD-A-FLEX® SHELVING



Model No.	Description
MXKIT	Optional Kit to insulate ceiling bolts from outside heat transfer. One Kit required for each standard.

The Mod-A-Flex Secret

The patented secret to this postless system is that standards are securely suspended from the ceiling of the walk-in refrigerator. This provides the strength assurance that each shelf will support 400 lbs of static weight.

AMCO • Freestyle • ISS • Kelmax • LPI • Universal Stainless • Gillis-Jarke

SPG International, LLC
11230 Harland Drive NE
Covington, GA 30014
877-503-4SPG (4774)

www.spgusa.com

The best names in the business
all have one thing in common.

EXPECT MORE
SPG
STORAGE PRODUCTS GROUP