

## Make fast work out of work with work tables that offer you more.



Think about all of the abuse your work tables take. Think about all the different things you do on those tables. Think about all the things on your tables and stored beneath them. When you think about it, a lot is resting on the quality and durability of your tables.

That is why SPG offers you a line of work tables designed to withstand the day-in and day-out punishment of the workplace. Tables that are rugged, reliable, and offer you unique features to enhance their value, expand their capabilities, and increase your productivity.

Just consider some of the advantages of SPG stainless steel work tables

- Most feature an all-welded design and are shipped ready to use—no assembly required
- Our tables feature a square edge design for clean abutment to other equipment

- You can choose a 16 gauge or 14 gauge top
- Our standard products can be easily modified to fit your unique needs (consult factory)
- Our tables are available with either galvanized or stainless bases
- You can add an undershelf to increase your storage capacity
- Models are available with a 6" backsplash for unique applications
- All SPG stainless steel tables are NSF certified.

*Expect More...*

Corrosion and stain resistance. Durability. Versatility. Reliability. Convenience. If you want to get more work done, do it on work tables that do more. SPG stainless steel tables.



# STAINLESS STEEL TABLES

## 16-GAUGE TABLES

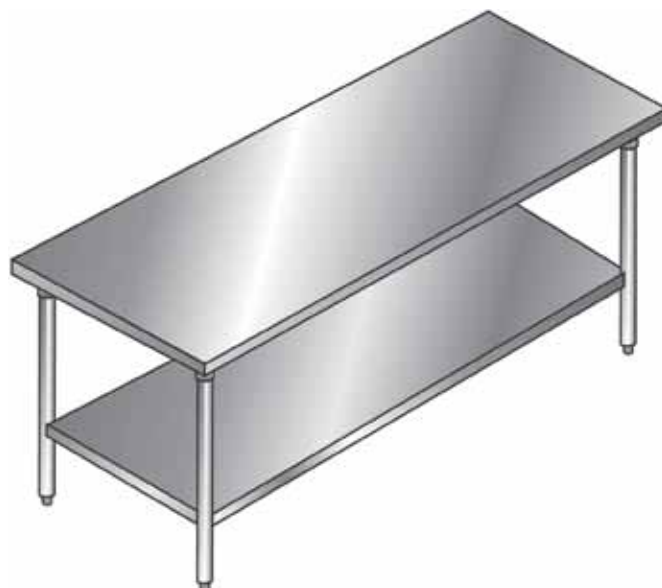
### 16-Gauge Tables — Flat Top with 304 Stainless Steel Base

All units are 304 Stainless Steel (some underparts are galvanized).  
KD-Units: Ship knock-down with easy-to-assemble twin point locking legs. Set-Up Units: Ship crated for safe transport, easy uncrating and put-in-place assembly. Note: Weight does not include crate on "Set Up Units".

#### Set Up Units

Table		with Shelf	No Shelf	with Shelf
Model No.	Model No.	W x L (In.)	Wt. (Lbs.)	Wt. (Lbs.)
3SLC-30	3SLS-30	30 x 36	90	110
4SLC-30	4SLS-30	30 x 48	100	120
5SLC-30	5SLS-30	30 x 60	105	130
6SLC-30	6SLS-30	30 x 72	120	140
8SLC-30	8SLS-30	30 x 96	160	200
9SLC-30	9SLS-30	30 x 108	175	215

For knocked down table use -KD after part#



5SLS-30

### 14-Gauge Tables — Flat Top with 304 Stainless Steel Base

#### Set Up Units

Table		with Shelf	No Shelf	with Shelf
Model No.	Model No.	W x L (In.)	Wt. (Lbs.)	Wt. (Lbs.)
3-SL-SLC-30	3-SL-SLS-30	30 x 36	105	115
4-SL-SLC-30	4-SL-SLS-30	30 x 48	120	120
5-SL-SLC-30	5-SL-SLS-30	30 x 60	130	130
6-SL-SLC-30	6-SL-SLS-30	30 x 72	140	140
8-SL-SLC-30	8-SL-SLS-30	30 x 96	200	200
9-SL-SLC-30	9-SL-SLS-30	30 x 108	220	220

For knocked down table use -KD after part#

16-Gauge Tables with 6" Back Splash and 304 Stainless Steel Base

Set Up Units

Table	with Shelf	No Shelf	with Shelf
Model No.	Model No.	W x L (In.)	Wt. (Lbs.)
3SLCB-30	3SLSB-30	30 x 36	100
4SLCB-30	4SLSB-30	30 x 48	115
5SLCB-30	5SLSB-30	30 x 60	145
6SLCB-30	6SLSB-30	30 x 72	155
8SLCB-30	8SLSB-30	30 x 96	185
9SLCB-30	9SLSB-30	30 x 108	200

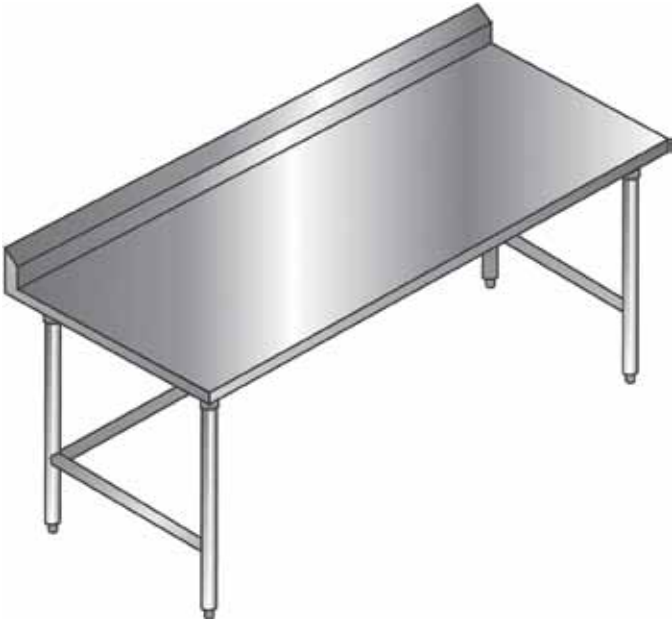
For knocked down table use -KD after part#

14-Gauge Tables with 6" Back Splash and 304 Stainless Steel Base

Set Up Units

Table	with Shelf	No Shelf	with Shelf
Model No.	Model No.	W x L (In.)	Wt. (Lbs.)
3-SL-SLCB-30	3-SL-SLSB-30	30 x 36	100
4-SL-SLCB-30	4-SL-SLSB-30	30 x 48	115
5-SL-SLCB-30	5-SL-SLSB-30	30 x 60	145
6-SL-SLCB-30	6-SL-SLSB-30	30 x 72	155
8-SL-SLCB-30	8-SL-SLSB-30	30 x 96	185
9-SL-SLCB-30	9-SL-SLSB-30	30 x 108	200

For knocked down table use -KD after part#



3-SL-SLCB-30

# STAINLESS STEEL TABLES

## 16-GAUGE TABLES

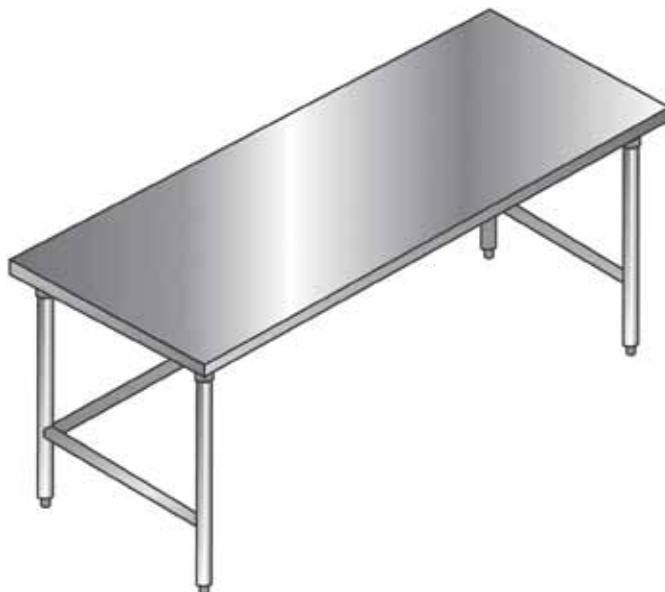
### 16-Gauge Flat Top Tables with Galvanized Base

All units have 304 Stainless Steel Tops.

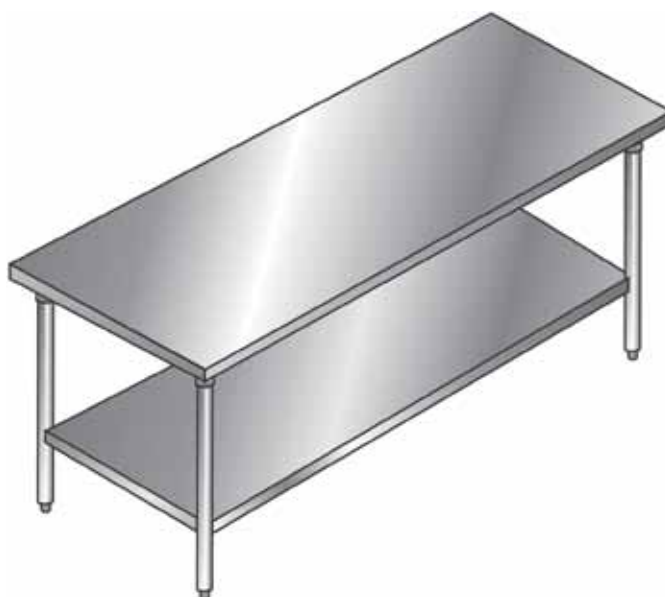
#### Set Up Units

Table	with Shelf	No Shelf	with Shelf	
Model No.	Model No.	W x L (In.)	Wt. (Lbs.)	Wt. (Lbs.)
3GLC-30	3GLS-30	30 x 36	90	105
4GLC-30	4GLS-30	30 x 48	100	120
5GLC-30	5GLS-30	30 x 60	105	130
6GLC-30	6GLS-30	30 x 72	120	140

For knocked down table use -KD after part#



5GLC-30



5GLS-30

## Warranty & Product Suitability

### Statement

SPG has made a continuous commitment to quality and service. The content of this catalog reflects the years of experience we have in storage technology. All products shown have practical application potential that will increase your storage and handling of virtually any product.

If none of our standard racks or material handling equipment will solve your unique problem, SPG engineers will study your needs and design a variation to these standards or special equipment to meet your specific requirements. The system we recommend will minimize handling and promote flow through your facility. Behind all the factors considered in design and testing, we have but one simple goal: to make products for people and products pursuant to guidelines established by ANSI (American National Standard Institute), UBC (Uniform Building Code) and RMI (Rack Manufacturers Institute).

### Product Suitability

Many states and localities have individual codes and regulations governing sales, construction, installation, and/or use of products for certain purposes, which may vary from those in neighboring areas. SPG cannot guarantee compliance, and can not be responsible for how the product is installed or used. Before purchase and use of a product, please review the product application, and the national and local codes and regulations. Be sure that the product, installation and use will comply with them.

### Warranty / Limited Liability

The SPG products are fully warranted for one year against defects in design, material and workmanship under normal use except for collision, overloading or improper installation. All products must be installed in accordance with written instructions provided by SPG. Your exclusive remedy and our only liability arising out of any sale shall be the replacement or repair of the goods or refund of the purchase price paid by the buyer, whichever such remedy we select. Any replacement, repair or return must have written authorization before any action is taken. If we elect to repay the purchase price, a written authorization will be issued and the goods must be returned immediately. Any exception to this policy must be agreed to in writing by an officer of SPG.

## Terms & Conditions

### Terms & Credit

NET 30 days. All prices are F.O.B. Factory. All purchases are subject to a credit review. Credit review may delay production and/or shipping schedules.

### Freight and Routing

All shipments are F.O.B. factory. When a carrier has not been specified, we will route shipment in the best way. With prepaid third party shipments, the third party's discount will apply. Customer pick-ups must be made within three days of notification of completion.

### Returns

It is the responsibility of the consignee or his representative to check shipments against the bill of lading or packing list. If damaged or short, indicate on the delivery receipt the extent of the shortage or damage. A claim for damage or shortage cannot be processed if the delivery receipt is signed without exception. Stock product can be returned within 30 days when authorized in writing by SPG products and return freight charges are prepaid. There will be a 25% restocking charge. Made-to order and used products cannot be returned.

### Cancellation

SPG reserves the right to apply reasonable charges for material and labor performed prior to the cancellation of any order. A formal acknowledgement of these charges will be sent by SPG after notice of cancellation is received.

### Minimum Order Quantity

Stock items can be ordered in any quantity, \$25 minimum. Orders for made-to-order items in quantities less than the minimum quantity shown in this price list will be subject to an additional set-up charge based on type of equipment. Call factory for setup charges.

### Delivery

Stock items can usually be shipped within 2 weeks. Delivery of made-to-order and non-stock items will be scheduled based on receipt of order and/or approved drawings, when applicable.

To place an order,  
contact your dealer today!

EXPECT MORE



**STORAGE PRODUCTS GROUP**

SPG International, LLC  
11230 Harland Drive NE  
Covington, GA 30014  
877-503-4SPG (4774)

Gillis/Jarke Manufacturing  
800-225-5424

[www.spgusa.com](http://www.spgusa.com)